

1

2

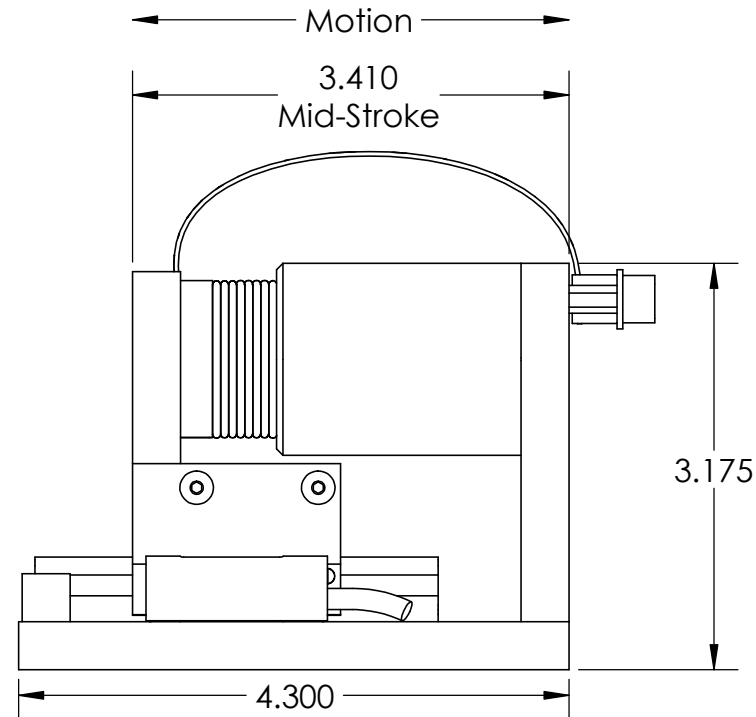
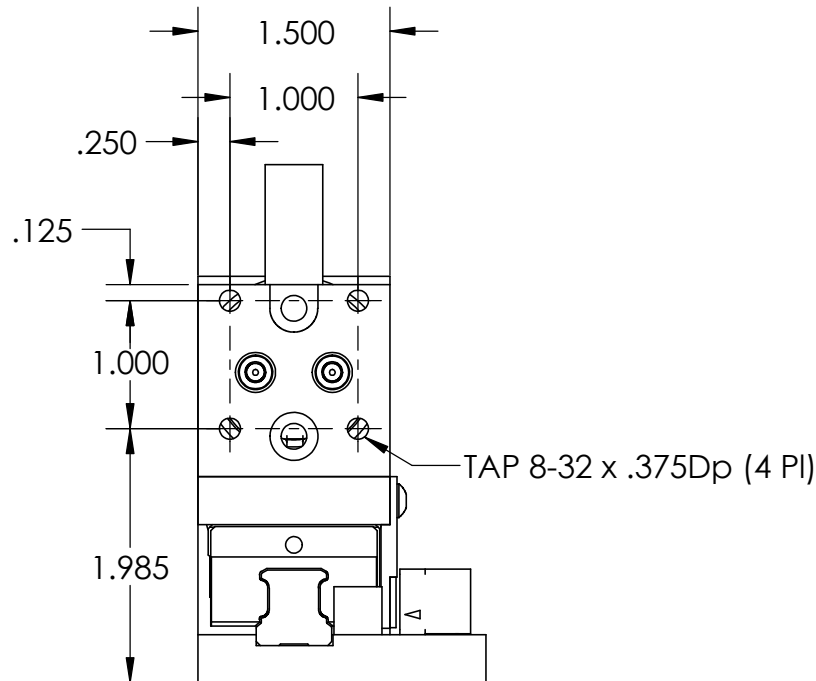
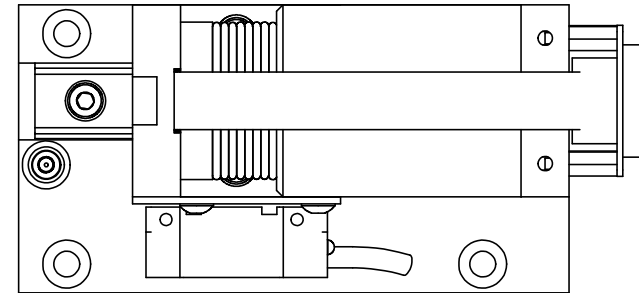
3

4

5

REVISION TABLE

REV	ECN#	DESCRIPTION	REV BY	APPROVED	DATE
---	---	Original Drawing	OOG	MPW	6-15-2023



A

A

B

B

C

C

D

D



H2W Technologies, Inc.
Santa Clarita, CA 91350 USA
Tel: (661) 291-1620
www.h2wtech.com

These drawings and specifications are the property of H2W Technologies, Inc. They are issued in confidence and shall not be reproduced, copied, or used without written permission from H2W Technologies, Inc.

UNLESS SPECIFIED OTHERWISE:
All dimensions are in inches
Standard Tolerances are as follows
XXX ±.005 ANGLES ±.1°
.XX ±.010 FILLETS .010
.X ±.020 CORNERS .010
Remove All Burrs and Sharp Edges

**FOR
REFERENCE
ONLY**

MATERIAL

FINISH

TITLE

**Voice Coil Positioning Stage
Model #: VCS10-023-LB-01-MC**

DWG # **31-0920**

REV -----

DATE 6-15-23 SHEET 1 of 3

1

2

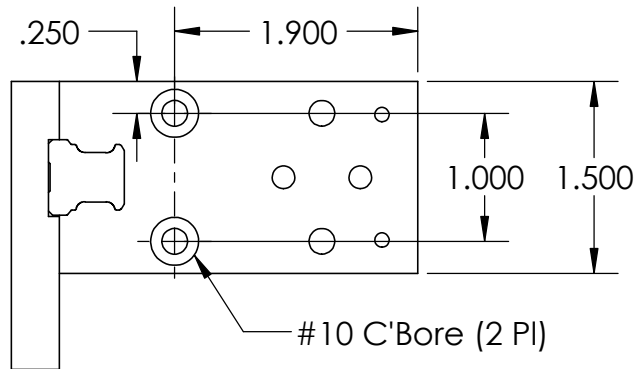
3

4

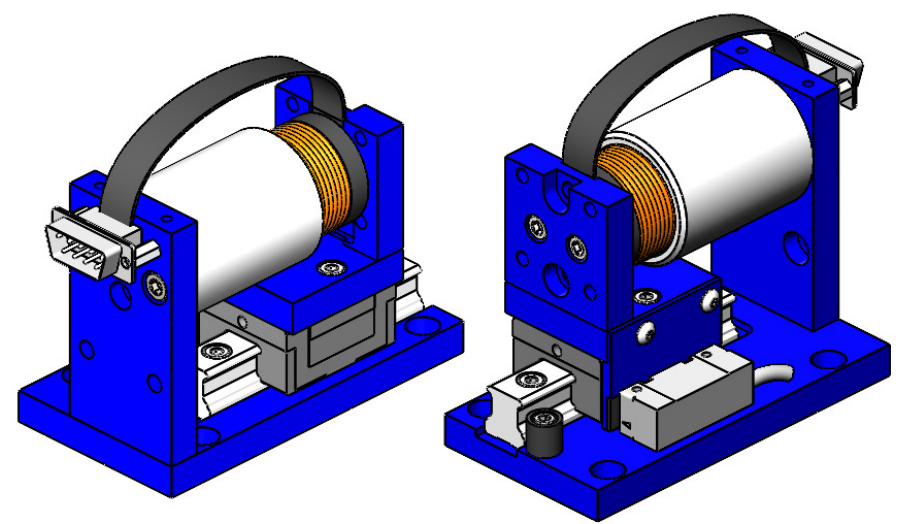
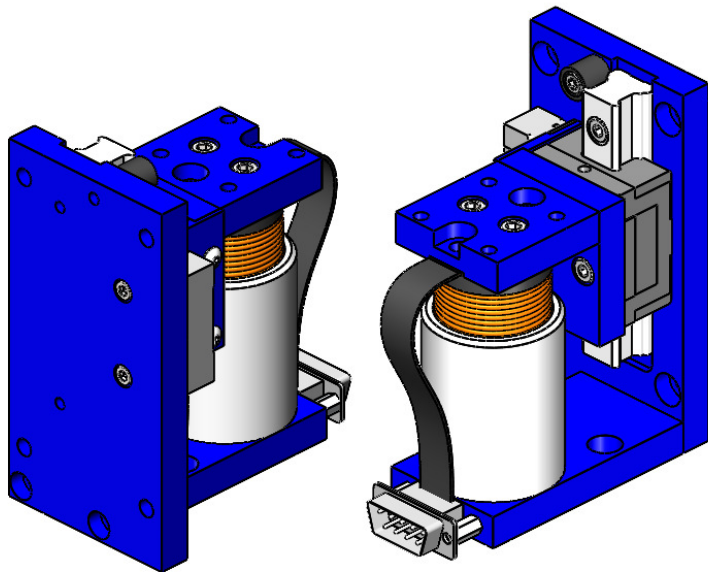
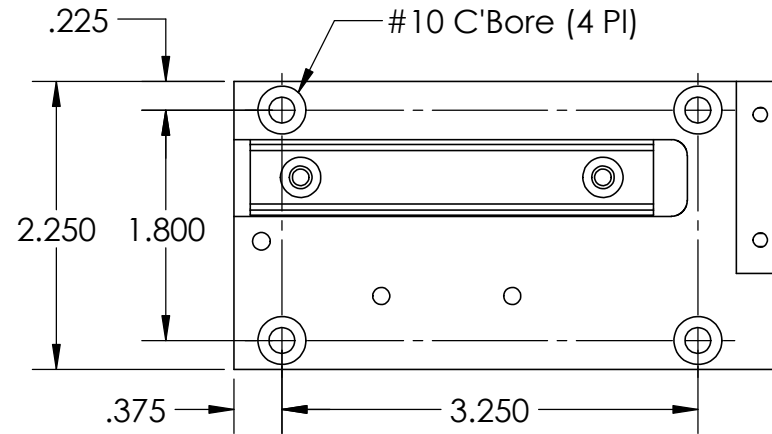
5

PARTS HAVE BEEN HIDDEN TO SHOW MOUNTING HOLES

Vertical Mounting



Horizontal Mounting



H2W Technologies, Inc.
 Santa Clarita, CA 91350 USA
 Tel: (661) 291-1620
www.h2wtech.com

These drawings and specifications are the property of H2W Technologies, Inc. They are issued in confidence and shall not be reproduced, copied, or used without written permission from H2W Technologies, Inc.

UNLESS SPECIFIED OTHERWISE:
 All dimensions are in inches
 Standard Tolerances are as follows
 .XXX ±.005 ANGLES ±.1°
 .XX ±.010 FILLETS .010
 .X ±.020 CORNERS .010
 Remove All Burrs and Sharp Edges

**FOR
 REFERENCE
 ONLY**

MATERIAL
 FINISH

TITLE

**Voice Coil Positioning Stage
 Model #: VCS10-023-LB-01-MC**

DWG # **31-0920**
 REV ----
 DATE 6-15-23 SHEET 2 of 3

1

2

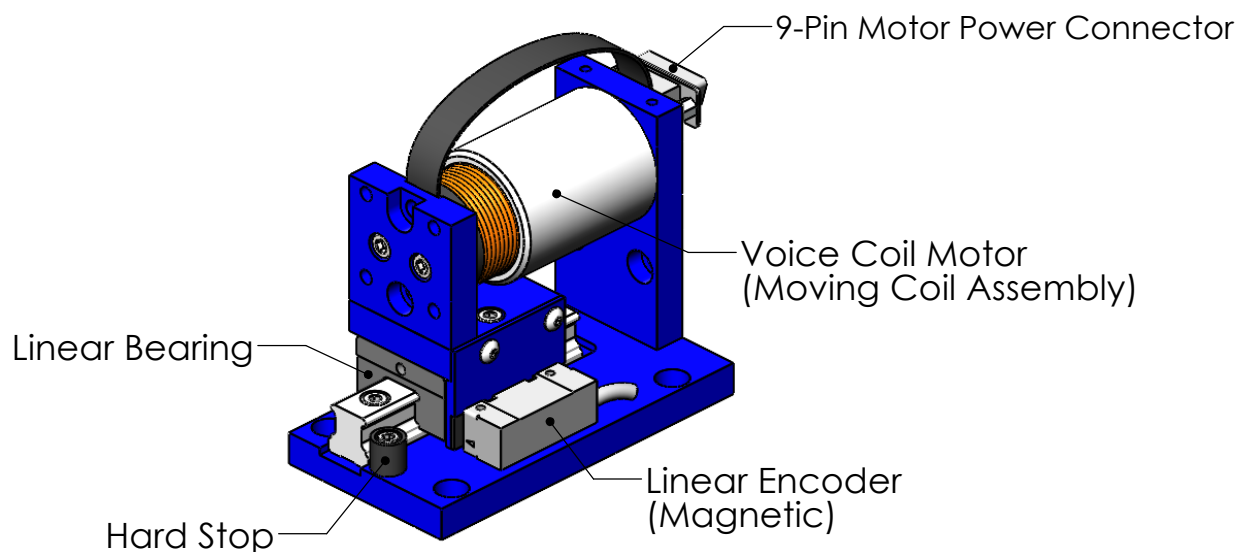
3

4

5

VOICE COIL POSITIONING STAGE SPECIFICATIONS

Motor P/N	NCC10-15-023-1X	
Stroke	1.0"	25.4 mm
Encoder Resolution	1.0 micron	
Encoder Type	Magnetic	
Bearing Type	Linear Bearing	
Moving Part	Coil Assembly	
Moving Mass	0.35 lbs	160 grams
Total Mass	2.20 lbs	1000 grams
Resistance @ 20C	7.5 ohms	
Inductance @ 20C	3.3 mH	
Electrical Time Constant	0.44 msec	
Motor Constant	0.85 LBS/SQRT(Watt)	3.8 N/SQRT(Watt)
Force Constant	2.3 lbs/Amp	10.2 N/Amp
Back EMF	0.26 V/ips	10.2 V/m/sec
Force @ 100% Duty	2.3 lbs	10.5 N
Power @ 100% Duty	7.0 watts	
Current @ 100% Duty	1.0 Amps	
Force @ 10% Duty	6.9 lbs	30.7 N
Power @ 10% Duty	66 watts	
Current @ 10% Duty	3.0 Amps	



A

A

B

B

C

C

D

D



H2W Technologies, Inc.
 Santa Clarita, CA 91350 USA
 Tel: (661) 291-1620
www.h2wtech.com

These drawings and specifications are the property of H2W Technologies, Inc. They are issued in confidence and shall not be reproduced, copied, or used without written permission from H2W Technologies, Inc.

UNLESS SPECIFIED OTHERWISE:
 All dimensions are in inches
 Standard Tolerances are as follows
 .XX ±.005 ANGLES ±.1°
 .XX ±.010 FILLETS .010
 .X ±.020 CORNERS .010
 Remove All Burrs and Sharp Edges

**FOR
 REFERENCE
 ONLY**

MATERIAL

FINISH

TITLE

**Voice Coil Positioning Stage
 Model #: VCS10-023-LB-01-MC**

DWG # **31-0920**

REV

DATE

6-15-23

SHEET

3 of 3